



With its metal scraper rod seal option, it provides minimum air leakage even in heavily soiled and dusty environments. (K6: Bronze + PU)

RESISTANT AGAINST
CORROSION,
CHEMICALS,
DUST and HUMIDITY

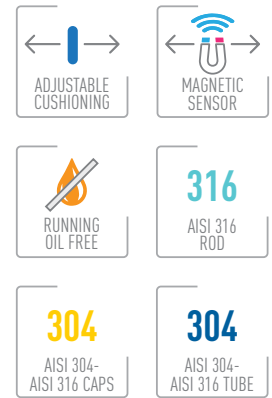
PRS SERIES

ISO 15552 // $\varnothing 32$ - $\varnothing 125$

COMPLETELY STAINLESS
MAGNETIC CYLINDER WITH CUSHIONING



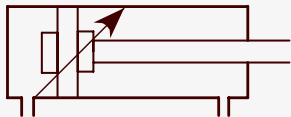
- Complete Stainless Steel body elements.
- Durability in all industrial environments containing excessive humidity and chemicals.
- Offers high resistance against corrosion and oxidation.
- Can be cleaned using wet or dry methods making it suitable for use in food and pharmaceutical industries.
- Scraper seal minimizes air leaks within dirty and dusty environments extending the product life of the cylinder.



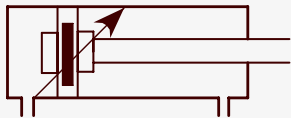
PRS SERIES

ISO 15552 // $\varnothing 32 - \varnothing 125$

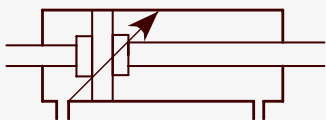
COMPLETELY STAINLESS
MAGNETIC CYLINDER WITH CUSHIONING



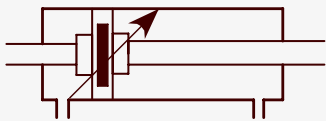
PRS
DOUBLE ACTING AND
CUSHIONING CYLINDER



PRS-A
DOUBLE ACTING,
CUSHIONING AND
MAGNETIC CYLINDER



PRS-D
DOUBLE ACTING,
CUSHIONING AND
DOUBLE ROD CYLINDER



PRS-AD
DOUBLE ACTING,
CUSHIONING, MAGNETIC
AND DOUBLE ROD
CYLINDER

Cushioning is standard on these products.

- COMPLETELY STAINLESS STEEL BODY EQUIPMENT
- HIGH RESISTANCE AGAINST CORROSION
- SUITABLE FOR DUSTY AND SOILED ENVIRONMENTS
- LONGER WORKING LIFE WITH SCRAPER FEATURE
- HIGH RESISTANCE AGAINST OXIDIZATION CAUSED BY CHEMICAL SUBSTANCES
- METAL SCRAPER ROD SEAL OPTION (K6)

FORCE

Cylinder \varnothing mm	Rod \varnothing mm	Thrust and traction forces (6 Bar)	
		Thrust force (N)	Traction force (N)
32	12	482	415
40	16	754	633
50	20	1178	990
63	20	1870	1682
80	25	3016	2721
100	25	4712	4418
125	32	7363	6881

WORK CONDITIONS

Working Fluid:

Filtered and lubricated or filtered and not lubricated air

Operating Temperature Range:

Polyurethane (PU) : (-20°C) - (+80°C)
Viton (FKM) : (-30°C) - (+150°C)

Max. Work Pressure:

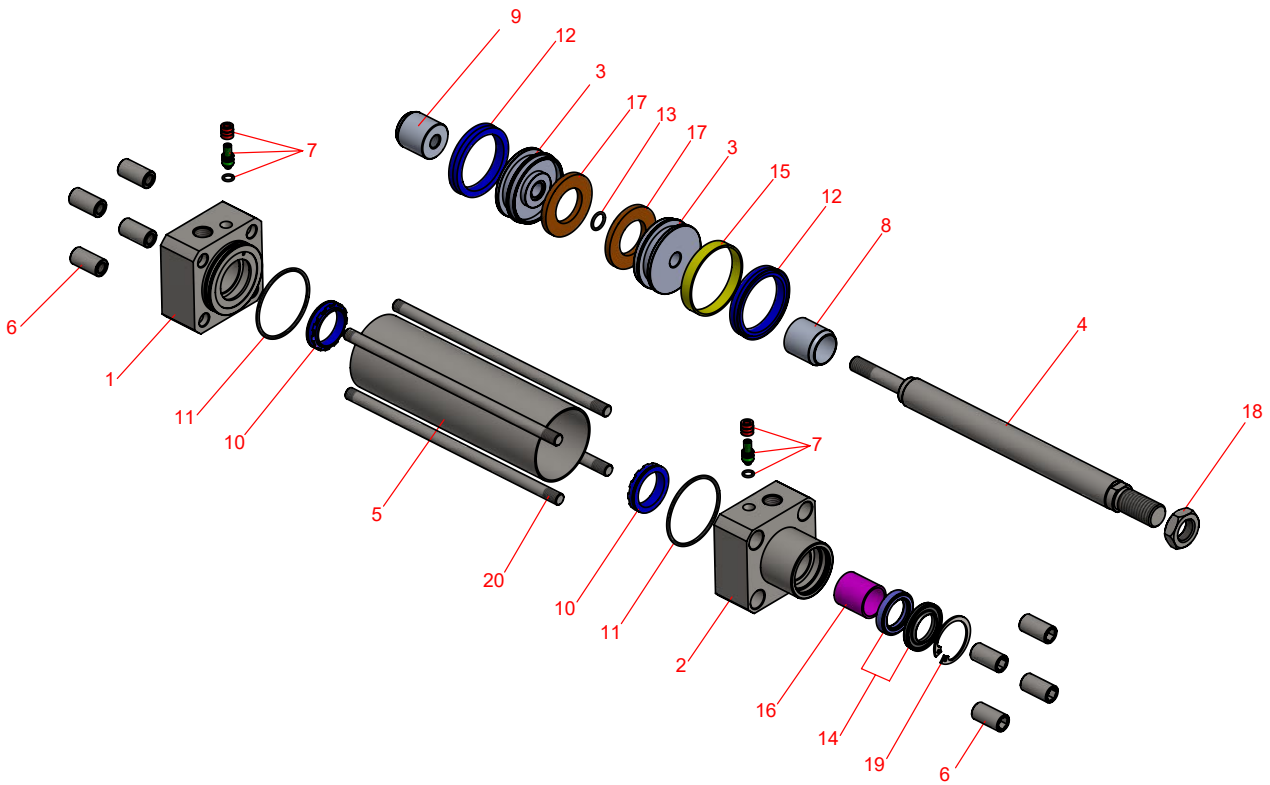
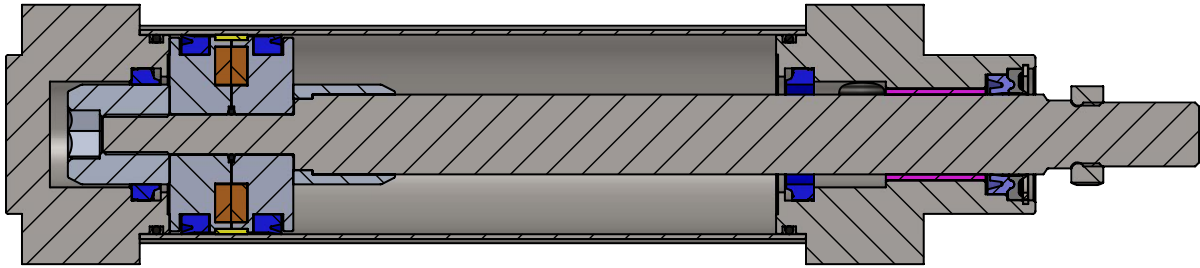
10 Bar

NON-STANDARD VARIATIONS

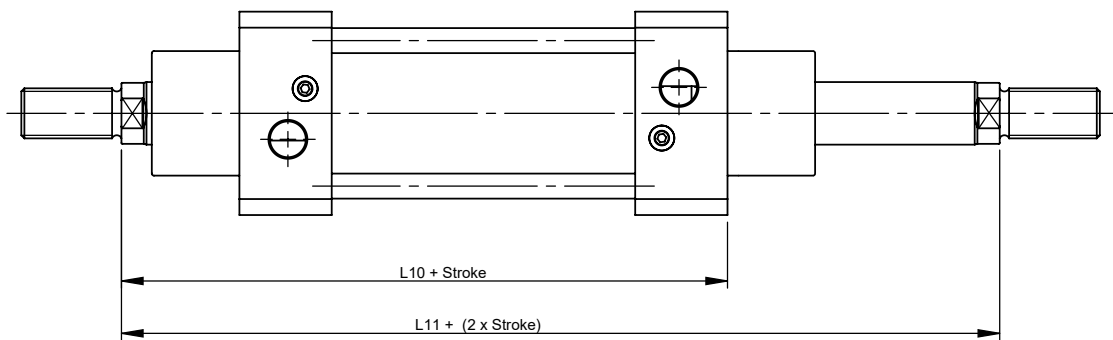
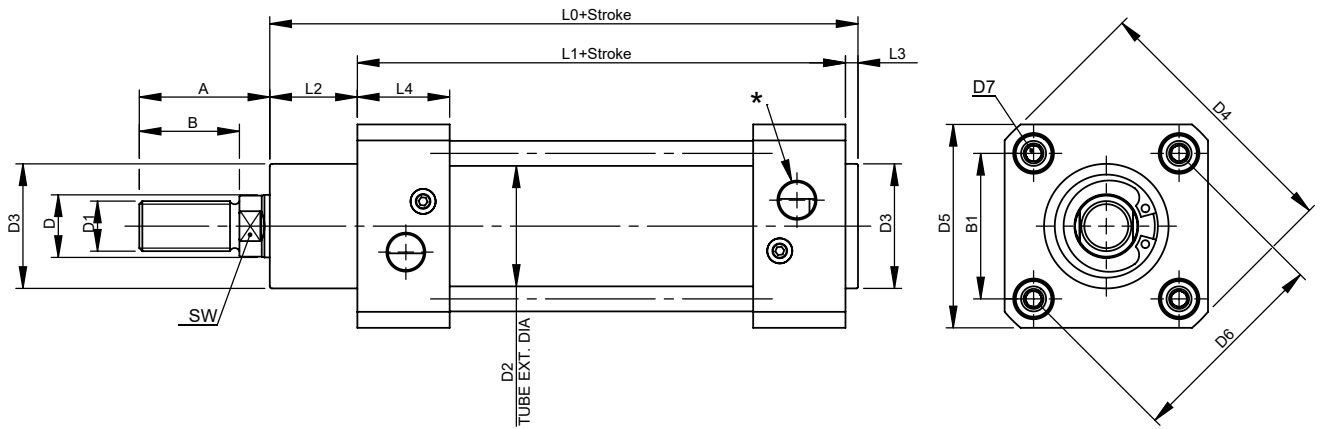
- M1: Extended male thread on cylinder rod
- M2: Female piston rod thread
- M3: Special thread on rod
- M4: Extended piston rod
- K1: Max. 150°C sealing parts (Viton)
- K4: Rod seal viton
- K6: For heavily soiled and dusty environments metal scraper (Bronze + PU)

EXAMPLE OF ORDER

PRS 050 - 0100 K4
Product code Cylinder \varnothing Stroke Non-Standard variations



No	Material name	Characteristic	Pc
1	Rear Head	SS 304-SS 316	1
2	Front Head	SS 304-SS 316	1
3	Middle Piston	Aluminium	2
4	Piston Rod	SS 316	1
5	Tube	SS 304-SS 316	1
6	Bolt	SS 304-SS 316	8
7	Cushioning Screw	Brass + AISI 303 NBR	2
8	Cushioning Tube	Aluminium+Eloxal Plated	1
9	Cushioning Fem.Thread	Aluminium+Eloxal Plated	1
10	Cushioning Seal	PU	2
11	Head O-ring	NBR	2
12	Piston Seal	PU	2
13	Middle Piston O-ring	NBR	1
14	Rod Seal	PU85 + POM	1
15	Guiding Band	Polyacetal	1
16	Guiding Bush	CSB-40	1
17	Magnet		2
18	Nut	SS 304-SS 316	1
19	Retaining Ring	A2 Stainless Steel	1
20	Tie Rod	SS 304-SS 316	4



Cylinder Ø mm	A	B	B1	D Ø	D1	D2 Ø	D3 Ø	D4	D5	D6 Ø	D7	L0	L1	L2	L3	L4	L10	L11	SW	*
32	30	22	32.5	12	M10x1.25	33,6	30	59	45	46	M6	116	94	18	4	25	120	146	10	G1/8"
40	34	24	38	16	M12x1.25	41,6	35	70,2	54	53,7	M6	129	105	20	4	27	135	165	13	G1/4"
50	41	32	46.5	20	M16x1.5	52,4	40	84,2	65	65,7	M8	138	106	28	4	29,5	143	180	17	G1/4"
63	42	32	56.5	20	M16x1.5	65,4	45	99,5	76	80	M8	152	121	27	4	34,5	158	195	17	G3/8"
80	52	40	72	25	M20x1.5	86	45	123,8	94	101,8	M10	167	128	34	4	35	174	220	22	G3/8"
100	52.5	40	89	25	M20x1.5	106	55	148,8	112	125,9	M10	182,5	138	38,5	4	38	189	240	22	G1/2"
125	73	54	110	32	M27x2	133	60	179,5	134	155,5	M12	213	160	46	6	44	225	290	27	G1/2"