

General Purpose Solenoid Valves S1015 Series (G1/8", G1/4")

GENERAL FEATURES

- Wide pressure range, a flow rate and orifice options.
- Solenoid valves are used with the filter.
- Solenoid valves can be mounted in any position without affecting its operation.
- Coil to be used in a vertical position.

ELECTRICAL CHARACTERISTICS

| | |
|--------------------------|--|
| Continuous Duty | : ED %100 |
| Coil Insulation Class | : H (180°C)(IEC 85) |
| Coil Impregnation | : Polyester Fiber Glass |
| Ambient Temperature | : -10°C, +60°C |
| Protection Degree | : IP65 (ISO 60529) On request; IP68 |
| Electric Plug Connection | : DIN 46340 3- Poles Connector (DIN43650) |
| Connector Specification | : ISO 4400 / EN 175301-803 Form A, Spade Plug (Cable Ø6-8 mm) |
| Electrical Safety | : IEC 335 |
| Standard Voltages | : AC 12V 15VA, 24V 15VA, 48V, 15VA, 110V 15VA, 230V 15VA, 230V 24VA DC 12V 18W, 24V 18W, 48V,18W, 110V 18W |

On request other voltages

Voltages Tolerance : AC -15%, +10% DC -5%, +10%

Frequency : 50 Hz (60 Hz...)

On request; Connector with LED, PWM Socket Specify coil voltage with order

MATERIALS IN CONTACT WITH FLUID

| | |
|---------------------------|---------------------------------|
| Body | : Brass |
| Internal Parts | : Stainless Steel |
| Sealing | : VITON (On request; NBR, EPDM) |
| Shading Ring | : Copper (EN 12735-1) |
| Seats, Core Tube, Springs | : Stainless Steel |

OPTIONS

- Female connection: BSP; (On request NPT)
- On request CR-Ni plated, PTFE coated done
- On request Atex (exproof) coil.

TECHNICAL FEATURES

Max. Viscosity : 5°E (-37cST veya mm²/s)

Response Time : Opening time : 30 ms

Closing Time : 30 ms

SEALS FEATURES

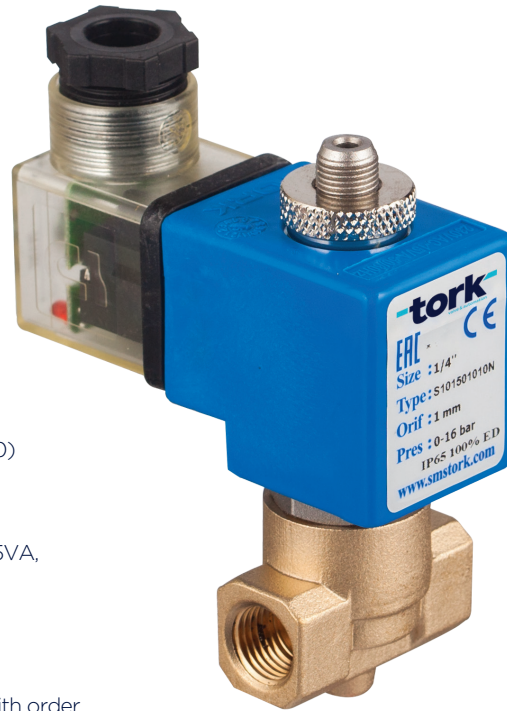
NBR : -10°C...+80°C

EPDM : -10°C...+130°C

VITON : -10°C...+160°C

PTFE : -10°C...+160°C

RUBY : -10°C...+160°C

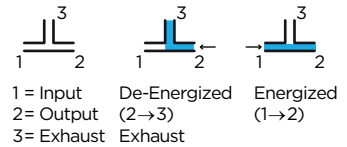
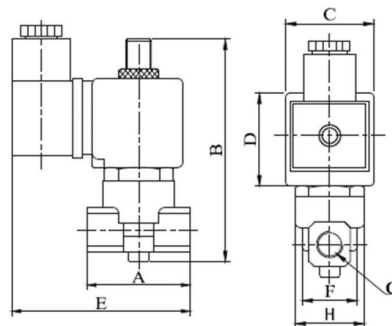


NORMALLY CLOSED

3 WAY

DIRECT ACTING

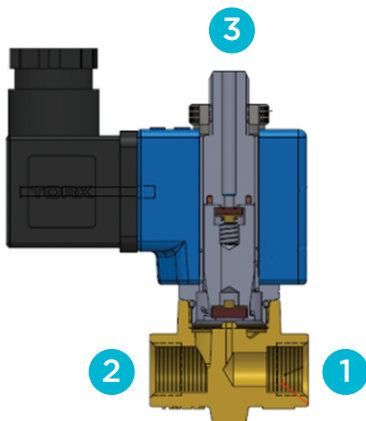
ΔP=0



Dimensions (mm)

| | G | A | B | C | D | E | F | H |
|------|----|----|----|----|----|------|------|---|
| 1/8" | 40 | 89 | 32 | 39 | 78 | 22.3 | 25.6 | |
| 1/4" | 40 | 89 | 32 | 39 | 78 | 22.3 | 25.6 | |

| Coils | Nominal Values | Cold/Hot | Inrush | Holding | Current (A) | Surface Temperature (°C) |
|---------------|----------------|----------|--------|---------|-------------|--------------------------|
| C40012VDC18W | 12VDC 18W | COLD | 19,56 | 19,56 | 1,63 | 20 |
| | | HOT | 14,52 | 14,52 | 1,21 | 106 |
| C40024VDC18W | 24VDC 18W | COLD | 20,88 | 20,88 | 0,87 | 25 |
| | | HOT | 14,64 | 14,64 | 0,61 | 116 |
| C40110VDC18W | 110VDC 18W | COLD | 19,96 | 19,96 | 0,18 | 23 |
| | | HOT | 13,56 | 13,56 | 0,123 | 115 |
| C40012VAC15VA | 12VAC 15VA | COLD | 23,81 | 16,43 | 1,3 | 25 |
| | | HOT | - | 15,86 | 1,262 | 79 |
| C40024VAC15VA | 24VAC 15VA | COLD | 25,82 | 15,02 | 0,62 | 22 |
| | | HOT | - | 13,91 | 0,57 | 81 |
| C40110VAC15VA | 110VAC 15VA | COLD | 30,65 | 15,17 | 0,137 | 24 |
| | | HOT | - | 13,96 | 0,126 | 80 |
| C40230VAC15VA | 230VAC 15VA | HOT | 31,4 | 15,64 | 0,068 | 25 |
| | | HOT | - | 14,41 | 0,063 | 80 |
| C40230VAC24VA | 230VAC 24VA | COLD | 45,1 | 23,92 | 0,0154 | 23 |
| | | HOT | - | 21,62 | 0,0154 | 100 |



| Solenoid Valve Symbol | Valve Type/Order No | Connection Size | Orifice Size | Pressure min/max | | Kv | Seal | | | Weight |
|-----------------------|---------------------|-----------------|--------------|------------------|-----|-------|------|---------|------|--------|
| | | | | Bar | Bar | | NBR | Viton | EPDM | |
| | S1015 | G | mm | Bar | Bar | l/min | | Opsiyon | | |
| | S1015.00.018 | 1/8" | 1.8 | 0 | 6 | 1.6 | ✓ | ✓ | ✓ | 0,37 |
| | S1015.00.025 | 1/8" | 2.5 | 0 | 3 | 3.2 | ✓ | ✓ | ✓ | 0,37 |
| | S1015.01.018 | 1/4" | 1.8 | 0 | 6 | 1.6 | ✓ | ✓ | ✓ | 0,36 |
| | S1015.01.025 | 1/4" | 2.5 | 0 | 3 | 3.2 | ✓ | ✓ | ✓ | 0,36 |

STANDARDS

- Standard tube connection G (BSP) (ISO 228-1) and other tube connections (NPT (ANSI 1.20.3)) are available on request.
- TORK solenoid valves 97/23/EC, are available for pressure equipment directive (PED) and 2006/95/ECC low voltage directive (LVD).

Not: Please look catalogues for more details